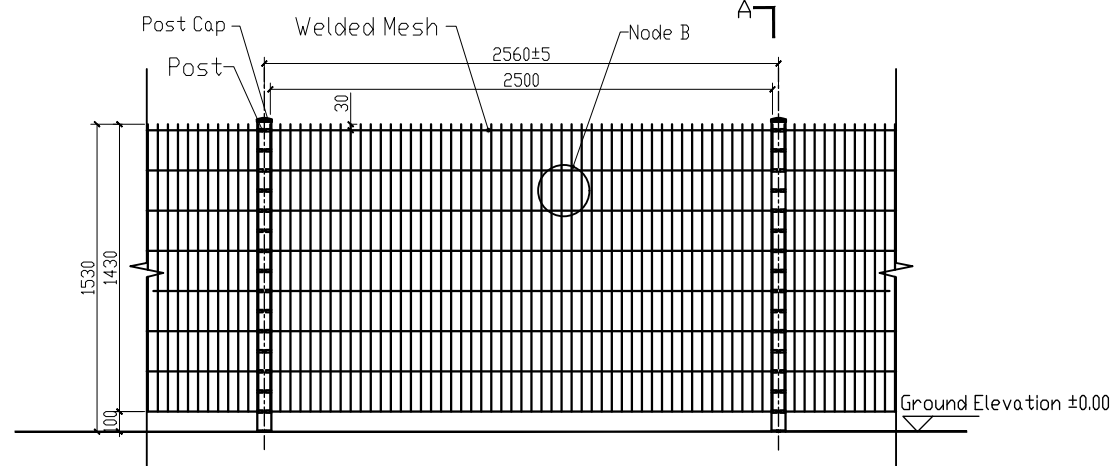


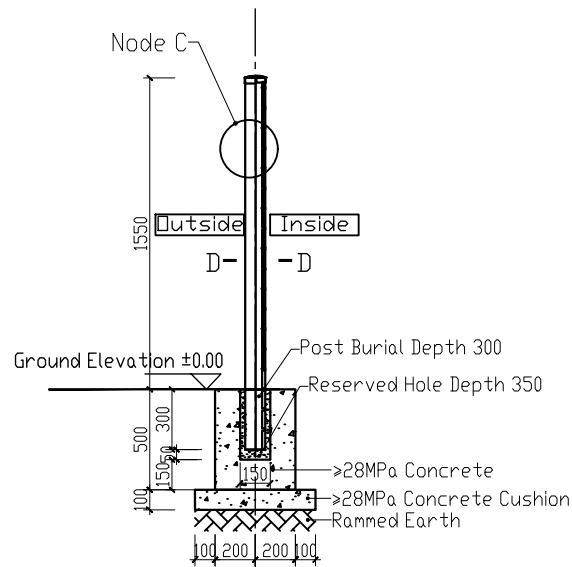
1 2 3 4 5 6 7 8

A

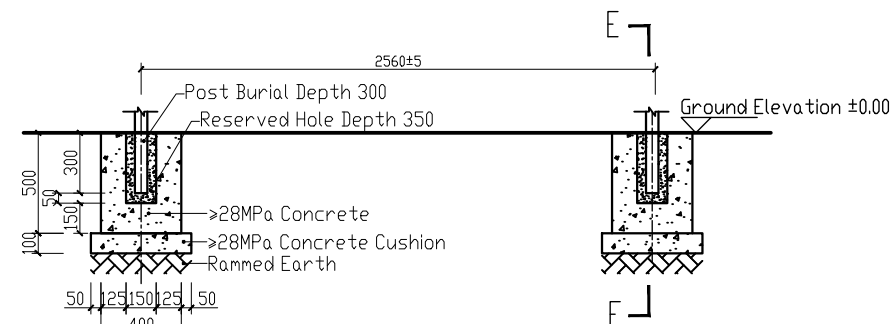


Fence Elevation

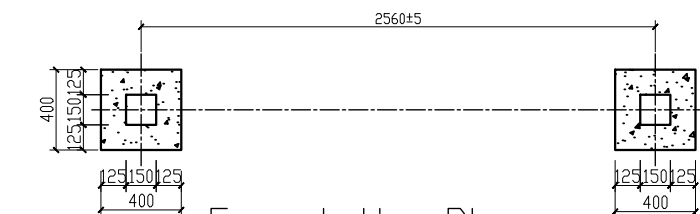
B



A-A Sectional

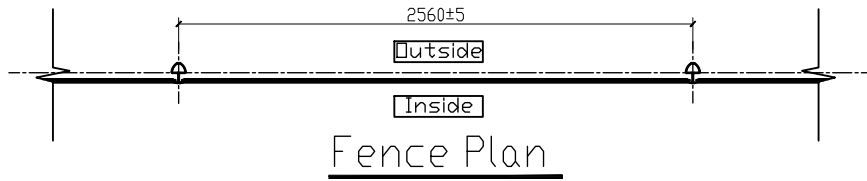


Foundation Elevation



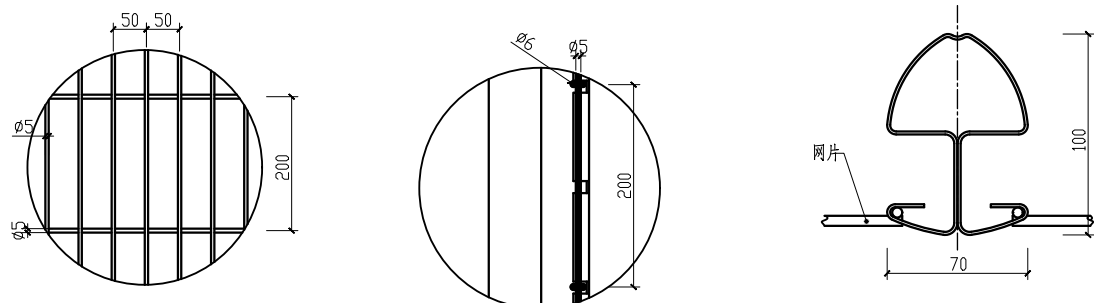
Foundation Plan

C



Fence Plan

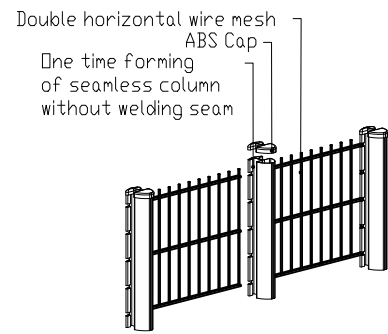
D



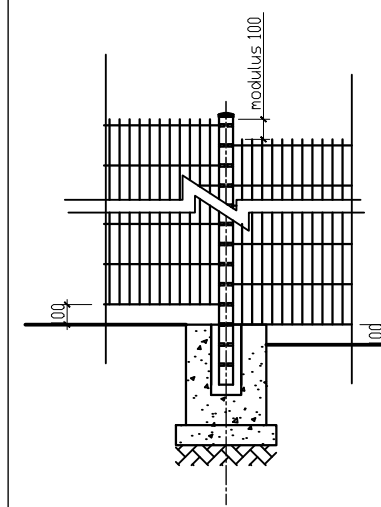
Node B 4:1

Node C 5:1

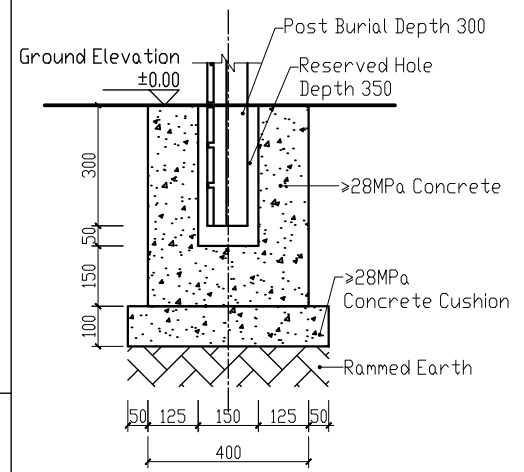
D-D 10:1



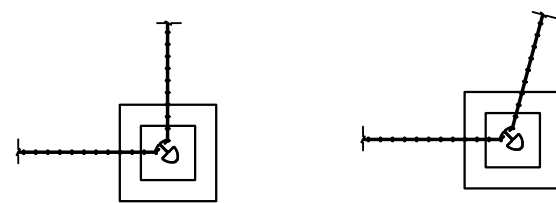
Fence Perspective



Ladder Node



E-E 剖面图 2:1



Corner Node

Former outline drawing Number

Outline drawing Number

Signature

Date

Technical Description:
 1. The dimensions marked in the figure are the centerline dimensions, measured in millimeters;
 2. The installation height of the fence is 1530 (excluding the foundation), and the center distance of the columns is 2560 ± 5;
 3. The fence is composed of directly buried columns (including top cover), mesh and other components;
 4. The column adopts a one-time formed seamless profile, made of continuous hot-dip galvanized steel plate, material DC51D+Z, with a galvanizing amount of >120g/m² (double-sided);
 5. The cross-sectional size of the column is 70x100x1.2, with a height of 1850;
 6. The mesh is made of high-strength cold drawn hot-dip galvanized steel wire resistance welding, material Q195, steel wire tensile strength >450MPa, steel diameter $\phi 6$ (horizontal wire)+ $\phi 5$ (vertical wire)+ $\phi 6$ (horizontal wire), reinforced groove 50 (wire) X100 (horizontal wire), galvanizing amount >120g/m²;
 7. The height of the mesh is 1430, the width is 2500, and the grid is 50 (threads) x 200 (horizontal threads);
 8. The surface of the columns and mesh is coated with high adhesion thermosetting polyester powder electrostatic coating, with a coating thickness of >100um, coating adhesion of > 0 level, and coating gloss 80-95°, photo aging > level 0, weather resistance >5;
 9. The fence foundation is made of >28MPa cast-in-place concrete, with reserved holes for 150x150x350 columns to be buried. After the columns are buried, they are fixed by secondary pouring, with a burial depth of >300.

COLLIAND				Project Name:	Project No.
				Building Name:	Drawing Phase
Drawn by	Verified by	Drawing Title: 2DT-1530 Fence construction drawing	Scale		
Designed by	Examined by		Version		
Checked by	Project Principal		Date		

1 2 3 4 5 6 7 8

F

F